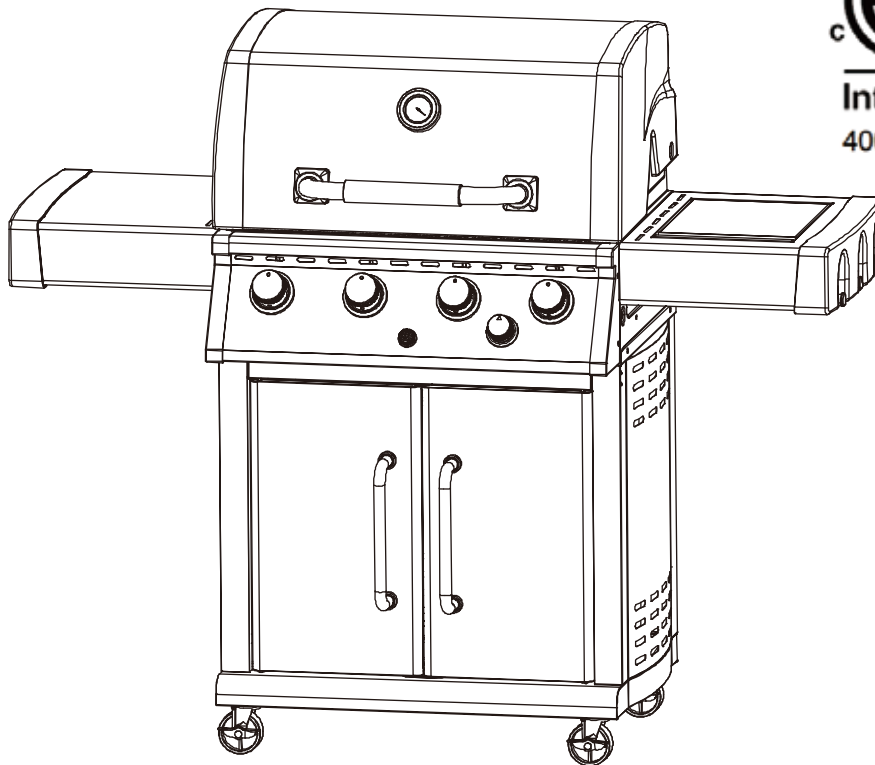




ASSEMBLY GUIDE

Model: MG4001



Mirage 4-Burner Gas Grill with Side Burner

FOR YOUR SAFETY!

Use outdoors only! Do not use it in a building, garage or any other enclosed areas.
Read the instructions before assembling and using the appliance.
DO NOT use the grill unless it is completely assembled and all the parts are securely fastened.
This grill will become very hot, do not move it during operation. Keep children and pets away.

CONTACT US FIRST!

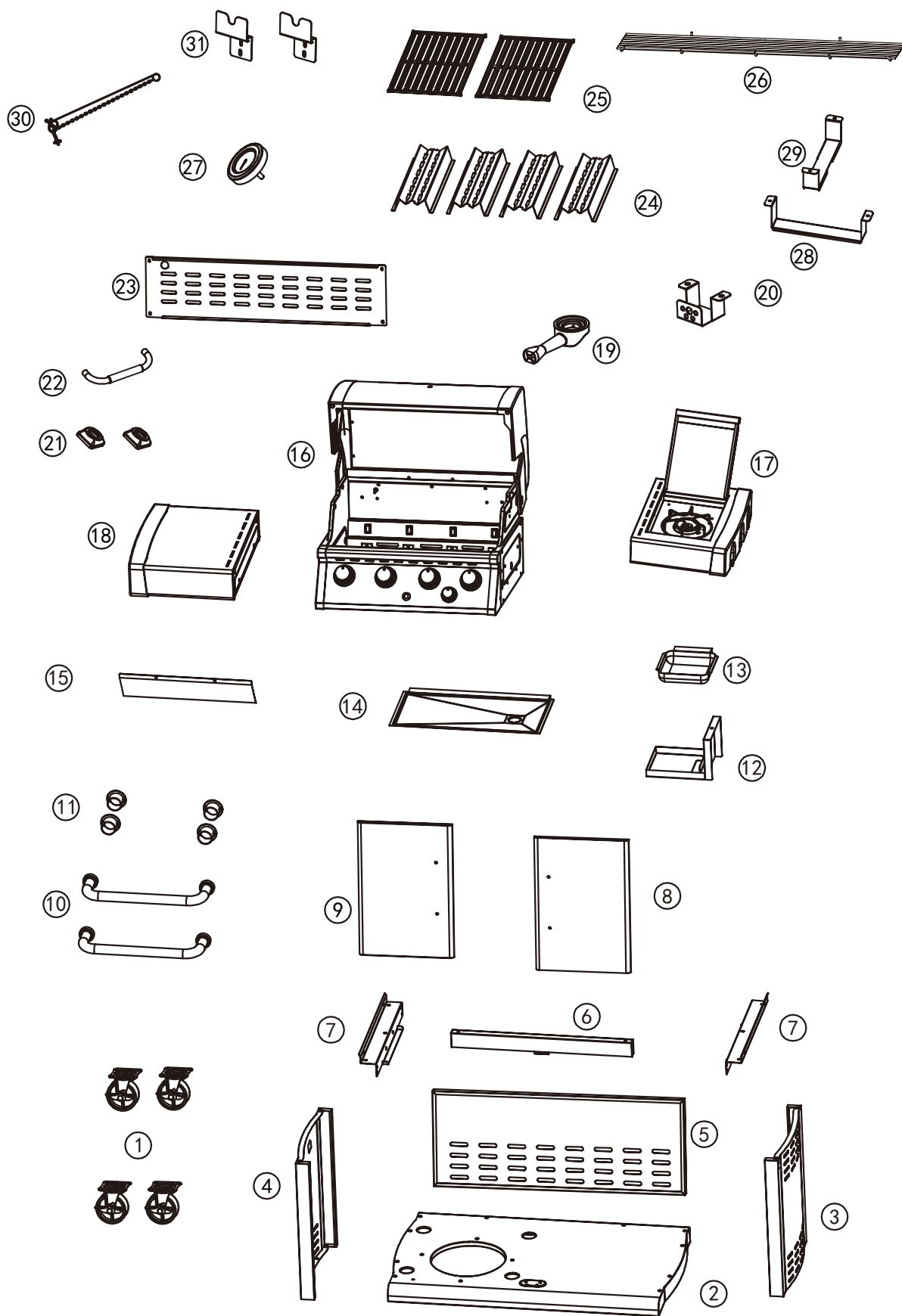
This grill has been made to high quality standards. If you have any questions that are not addressed in this manual, or you need parts, please call our customer service hotline or send an email to service@royalgourmetusa.com

Learn more at:

www.royalgourmetcorp.com

Explosion View













Royal
Gourmet®



Parts List Hardware List



<p>① Caster 4pcs</p>  <p>W-52930001</p>	<p>② Bottom shelf 1pc</p>  <p>H-M61A6404</p>	<p>③ Side shelf right 1pc</p>  <p>Z-M61A6332</p>	<p>④ Side shelf left 1pc</p>  <p>Z-M61A6331</p>
<p>⑤ Rear shelf 1pc</p>  <p>Z-M61A6426</p>	<p>⑥ Cart front beam 1pc</p>  <p>H-M61A6401</p>	<p>⑦ Firebox brace 2pcs</p>  <p>Z-M61A6322</p>	<p>⑧ Right door 1pc</p>  <p>ZH-M61A649</p>
<p>⑨ Left door 1pc</p>  <p>ZH-M61A648</p>	<p>⑩ Door handle 2pcs</p>  <p>W-53650003</p>	<p>⑪ Handle base 4pcs</p>  <p>W-A0403</p>	<p>⑫ Grease cup base 1pc</p>  <p>Z-M61A6325</p>
<p>⑬ Grease cup 1pc</p>  <p>Z-DXL12047</p>	<p>⑭ Grease tray 1pc</p>  <p>Z-M61A6521</p>	<p>⑮ Thermal baffle 1pc</p>  <p>Z-M61A6436</p>	<p>⑯ Firebox 1pc</p> 
<p>⑰ Side burner shelf 1pc</p>  <p>ZH-M61A635</p>	<p>⑱ Side table 1pc</p>  <p>ZH-M61A634</p>	<p>⑲ Side burner 1pc</p>  <p>W-M61A6314</p>	<p>⑳ Side burner brace 1pc</p>  <p>Z-M61A6308</p>
<p>㉑ Handle bracket 2pcs</p>  <p>W-M61A6310</p>	<p>㉒ Lid Handle 1pc</p>  <p>W-M61A6309+W-M61A6303</p>	<p>㉓ Rear board 1pc</p>  <p>Z-M61A6416</p>	<p>㉔ Flame tamer 4pcs</p>  <p>Z-M61A6317</p>
<p>㉕ Cooking grate 2pcs</p>  <p>W-M61A6402</p>	<p>㉖ Warming rack 1pc</p>  <p>W-M61A6401</p>	<p>㉗ Thermometer 1pc</p>  <p>W-20130049</p>	<p>㉘ Tank base lower 1pc</p>  <p>Z-A3127-RGC</p>
<p>㉙ Tank base upper 1pc</p>  <p>Z-A3128-RGC</p>	<p>㉚ Extension wire 1pc</p>  <p>W-GD430013</p>	<p>㉛ Grill rotisserie base 2pcs</p>  <p>Z-20130060</p>	

A	M5X10	47pcs	B	M6X12	20pcs	C	AA battery	1pc	D	M5X60	4pcs	E	Magnet	1pc	F		2pcs
																	
G	M4X8	6pcs	H	Door screw	2pcs	I	M6X10	8pcs	J	Split pin	1pc	K	M6X34.5	4pcs	L	M10	1pc
																	

Before beginning assembly, make sure all parts are present. Compare parts with packaged contents list and diagram above. If any parts are missing or damaged, do not attempt to assemble the products. Contact customer service for replacement parts via telephone or email.



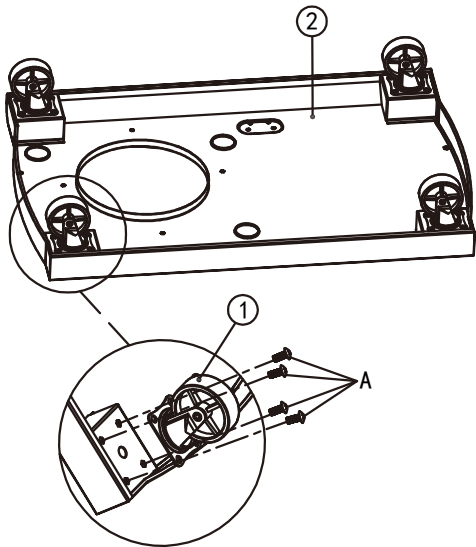
Phillips Screwdriver



Wrench

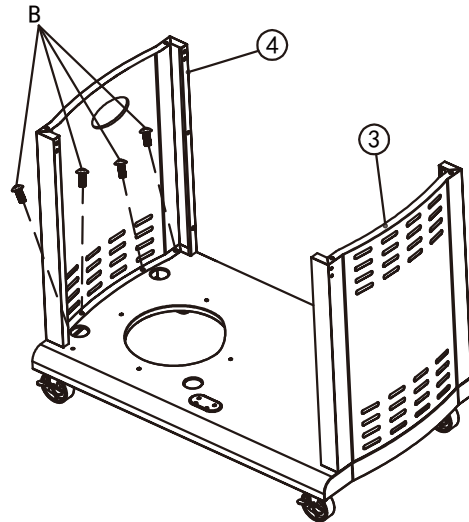
- Estimated assembly time: 40 minutes
- Tools required for assembly:
Phillips Screwdriver (not included) and Wrench (not included)
- Note: The right and left sides of the grill are designed as if you are facing the front of the grill.

Step 1



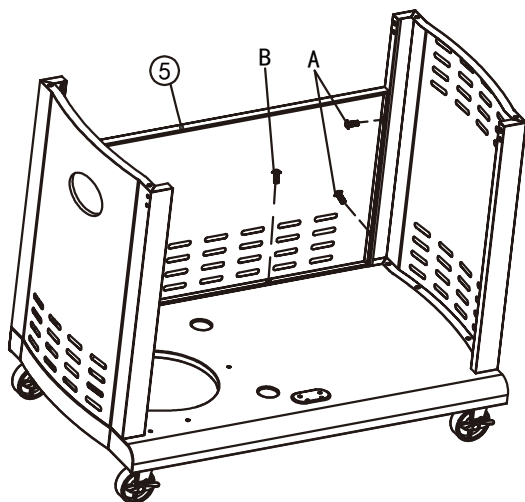
Assemble the casters (1) to bottom shelf (2) with 16 bolts (A).

Step 2



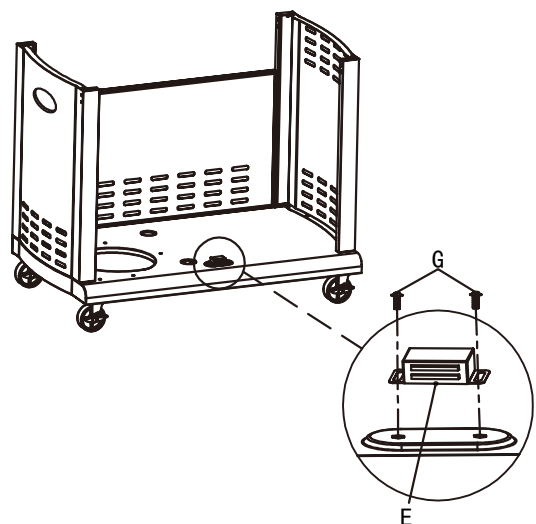
Assemble side shelf right (3) and side shelf left (4) to bottom shelf with 8 bolts (B).

Step 3



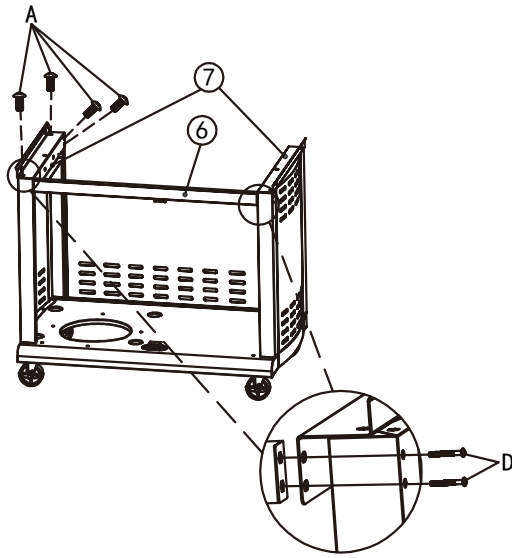
Assemble the rear shelf (5) to side shelf and bottom shelf with 4 bolts (A) and 2 bolts (B).

Step 4



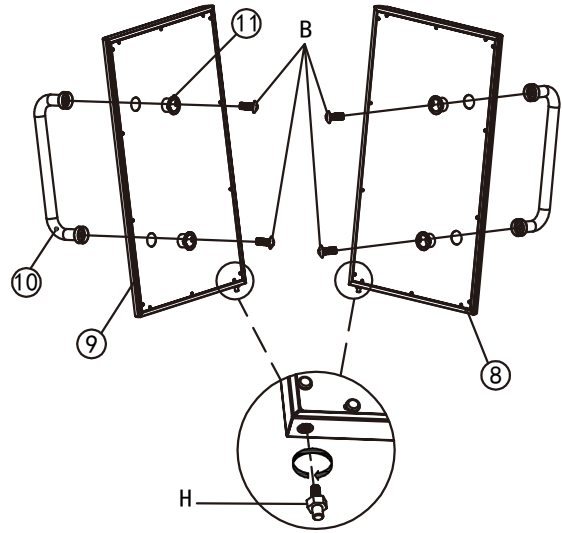
Install the magnet (E) to shown position of bottom shelf with 2 bolts (G).

Step 5



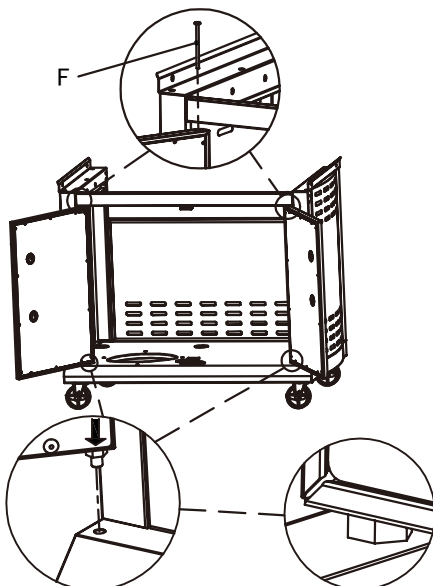
Assemble the cart front beam (6) to side shelves with 4 bolts (D).
 Assemble the firebox braces (7) to side shelves with 8 bolts (A).
 Please note : make the bolts (D) insert through the firebox braces.

Step 6



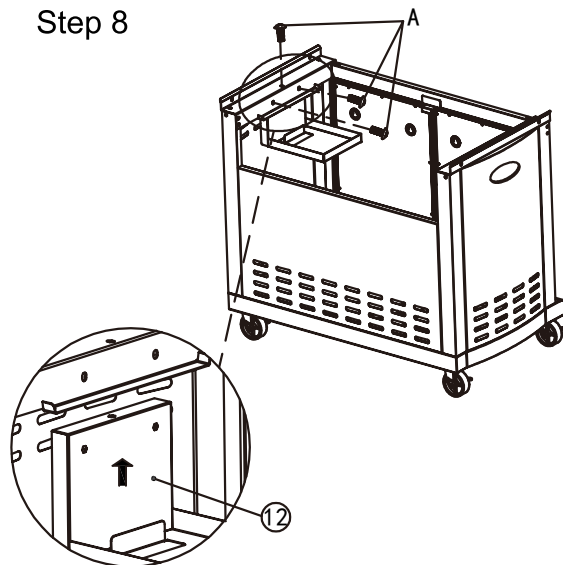
Assemble the door handles (10), handle bases (11) to left and right doors (8) (9) with 4 bolts (B).
 Screw 2 (H) underneath the doors.

Step 7



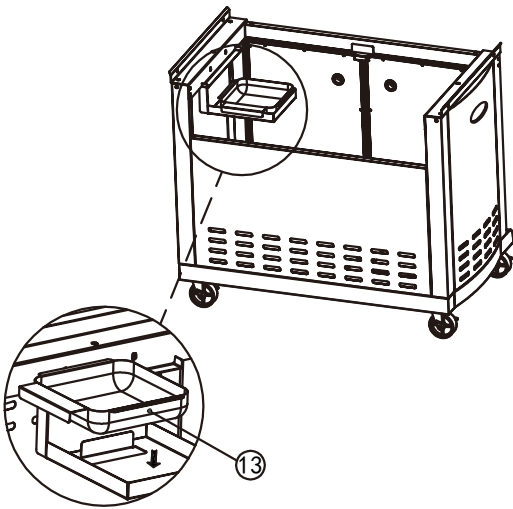
Assemble the doors: connect to bottom shelf via H connect to front beam by 2 (F).

Step 8



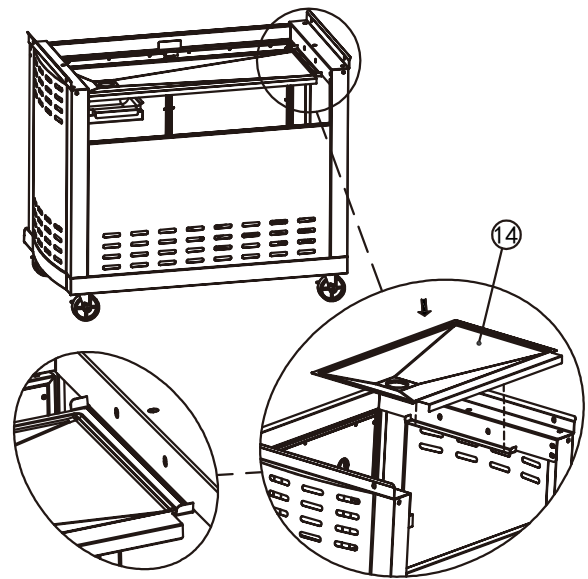
Assemble the grease cup base (12) to right side shelf, underneath firebox brace with 3 bolts (A).

Step 9



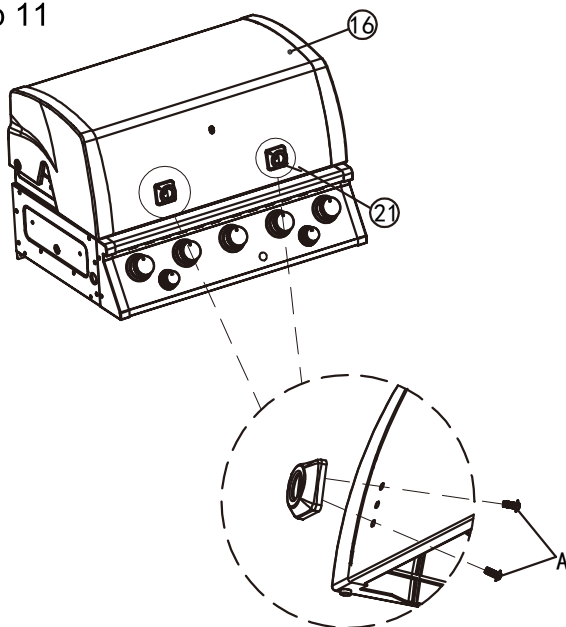
Place the grease cup (13) onto the base.

Step 10



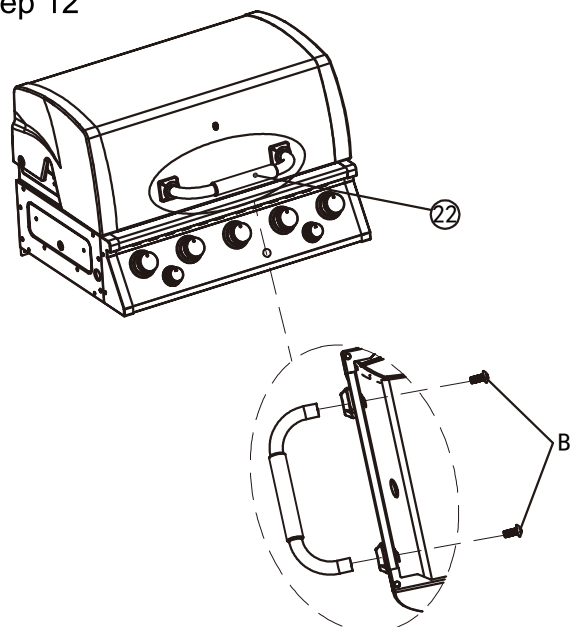
Place the grease tray (14) onto the firebox brace.

Step 11



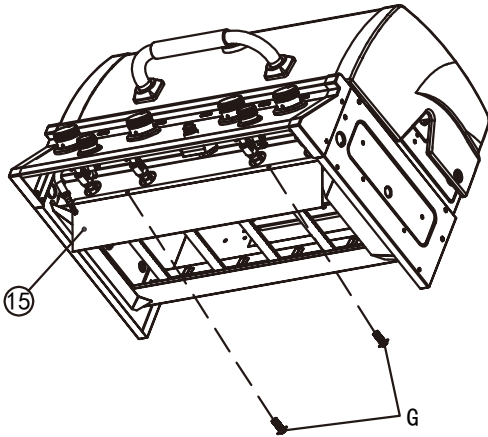
Assemble handle brackets (21) to lid (16) with 4 bolts (A).

Step 12



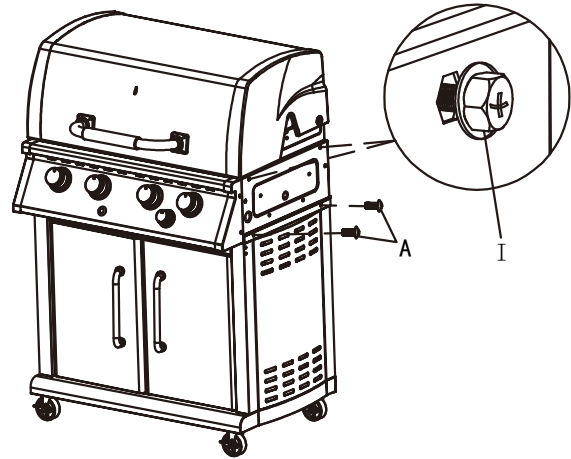
Insert the lid handle (22) to handle brackets, secure them from inside of the lid with 2 bolts (B).

Step 13



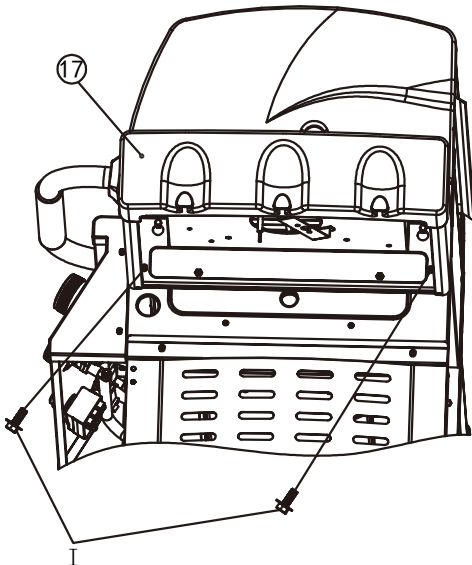
Assemble the thermal baffle (15) underneath the firebox (16) with 2 bolts (G).

Step 14



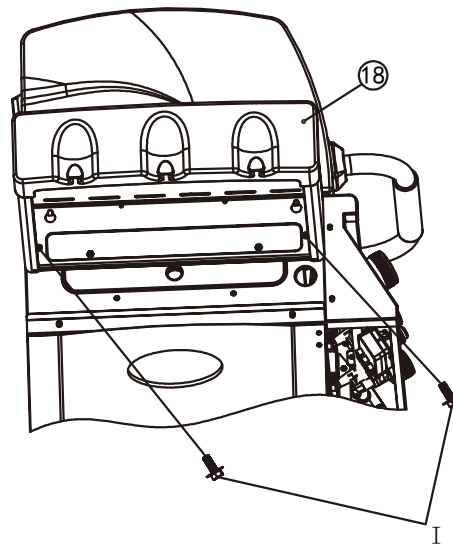
Place the firebox onto the braces, fasten it with 4 bolts (A).
Screw 4 bolts (I) halfway to both upper sides of firebox, for assembling side table/burner.

Step 15



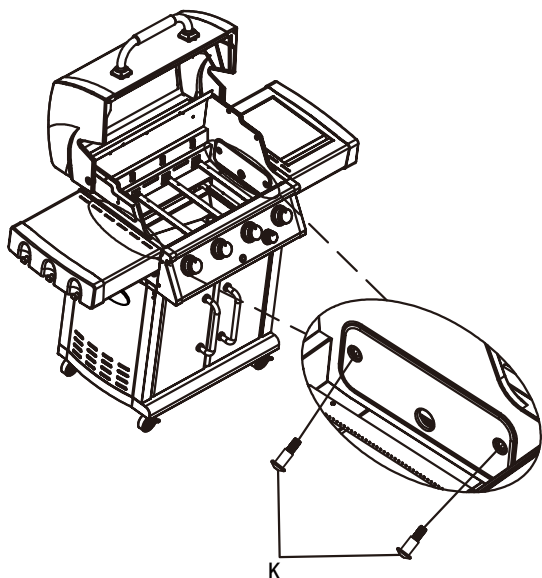
Align and hang the side burner shelf (17) onto the halfway bolts (I), and secure them.
Fasten it with another 2 bolts (I) as shown.

Step 16



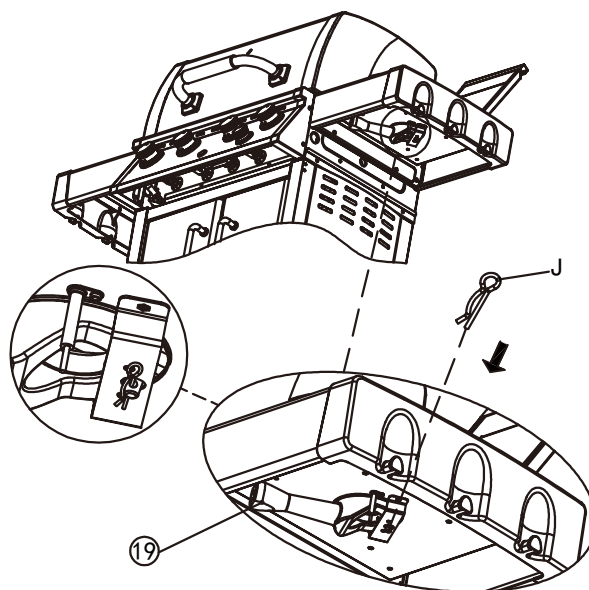
Align and hang the side table (18) onto the halfway bolts (I), and secure them.
Fasten it with another 2 bolts (I) as shown.

Step 17



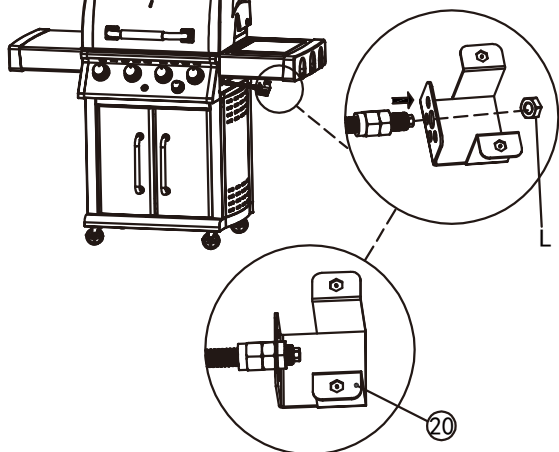
Fasten side table and side burner shelf to the firebox with 4 bolts (K).

Step 18



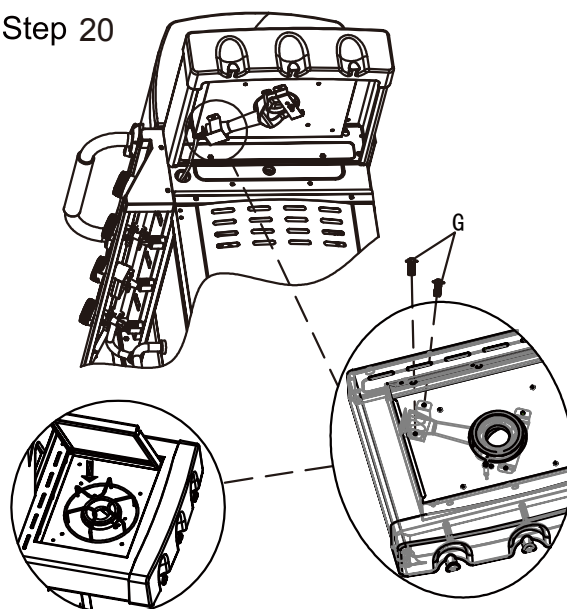
Assemble the side burner (19) underneath the side table shelf, secure it by 1 split pin (J) as shown.

Step 19



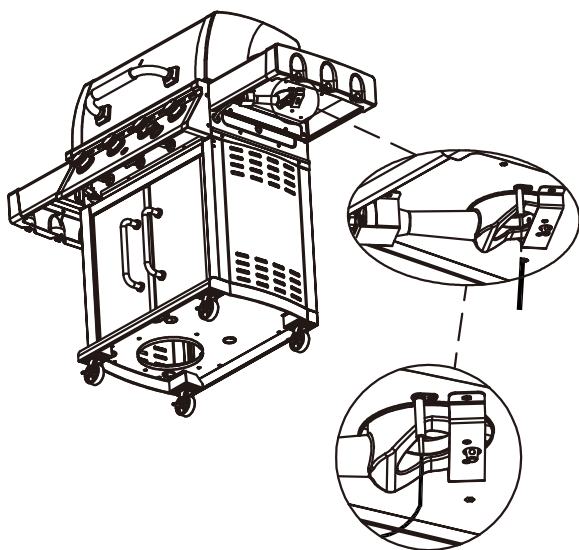
Make the tube terminal insert to the side burner brace (20), secure it with 1 nut (L).

Step 20



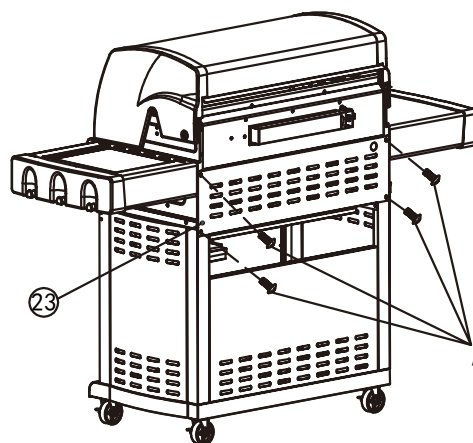
Connect the tube terminal to the side burner, fasten the side burner brace underneath the side burner shelf with 2 bolts (G). Place the side burner grate back to the side burner shelf.

Step 21



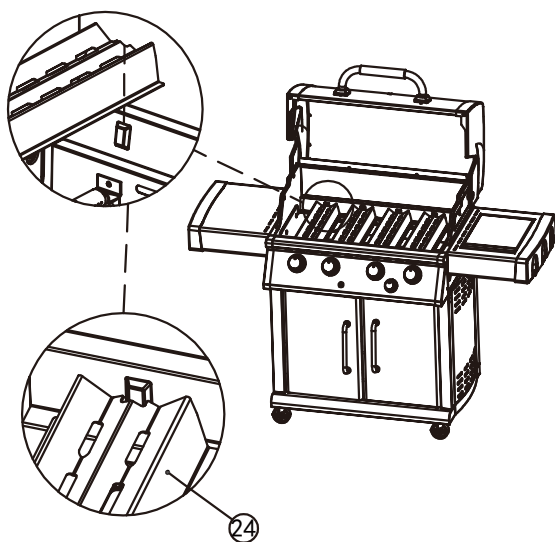
Insert the ignition line to the electrode hole as shown.

Step 22



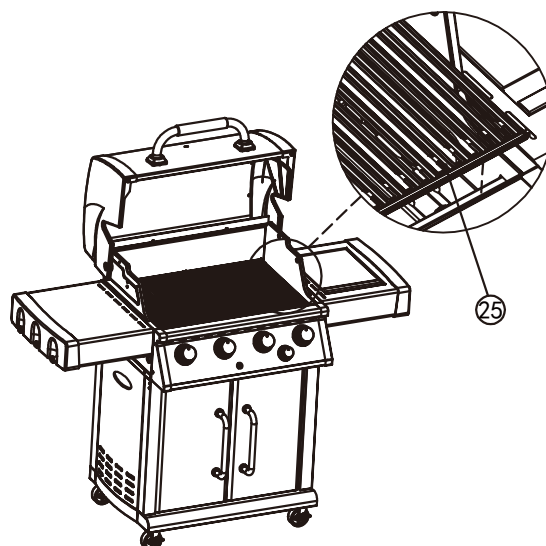
Make the tube insert through the rear board (23), fasten the rear board to firebox and side shelves with 4 bolts (A).

Step 23



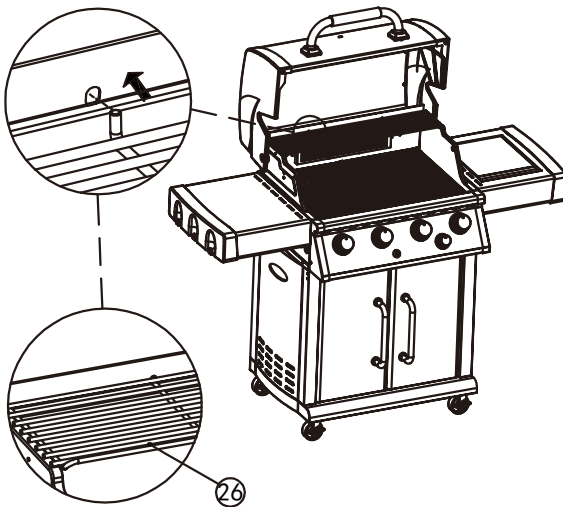
Place the flame tamers (24) into the firebox.

Step 24



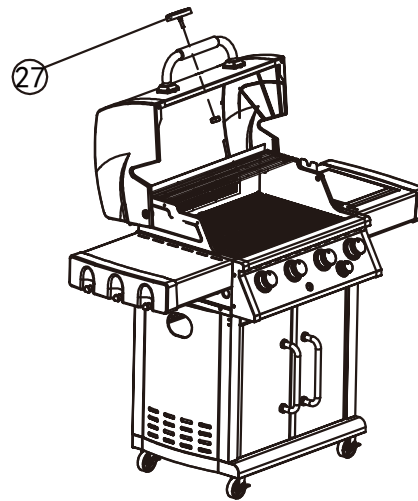
Place the cooking grates (25) into the firebox.

Step 25



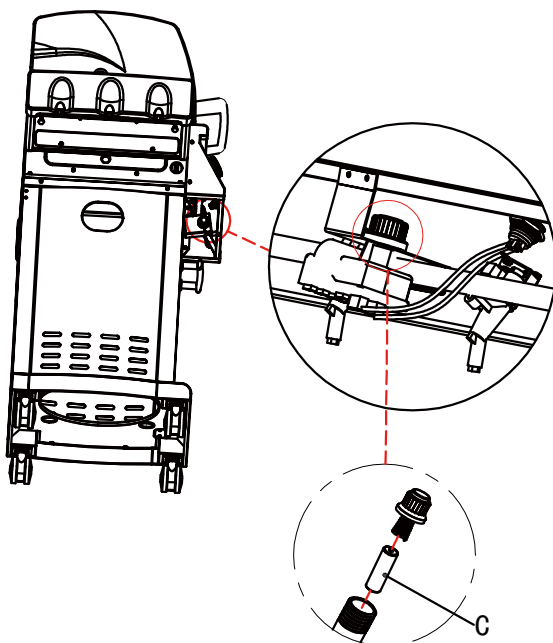
Place the warming rack (26) into the firebox.

Step 26



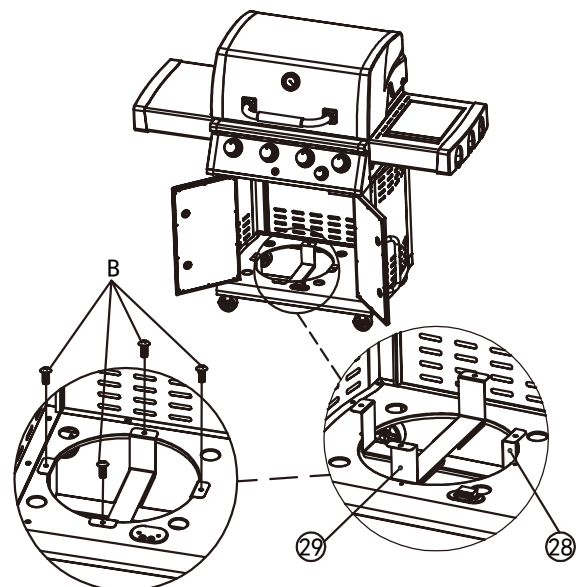
Assemble the thermometer (27) to the lid.

Step 27



Put the AA battery (C) into the igniter.

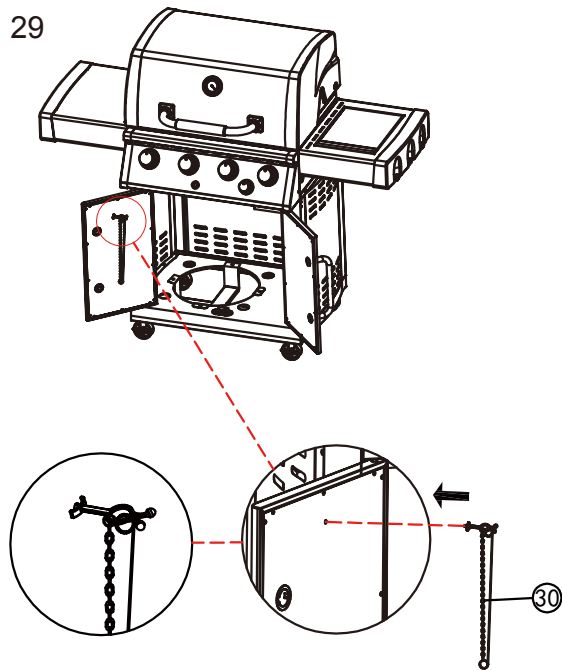
Step 28



Install tank base lower (28) to the bottom shelf with 2 bolts (B).

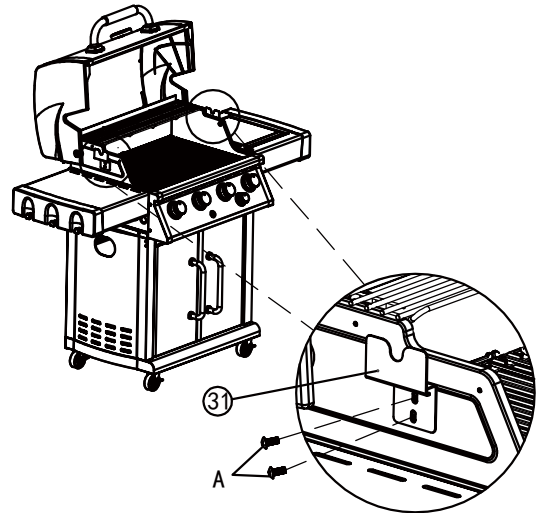
Install tank base upper (29) to the bottom shelf with 2 bolts (B).

Step 29



Insert the extension wire (30) to the left door.

Step 30



Assemble the grill rotisserie bases (31) to the firebox. Recommended length for the grill rotisserie is 33". Grill rotisserie is not included.

Step 31

